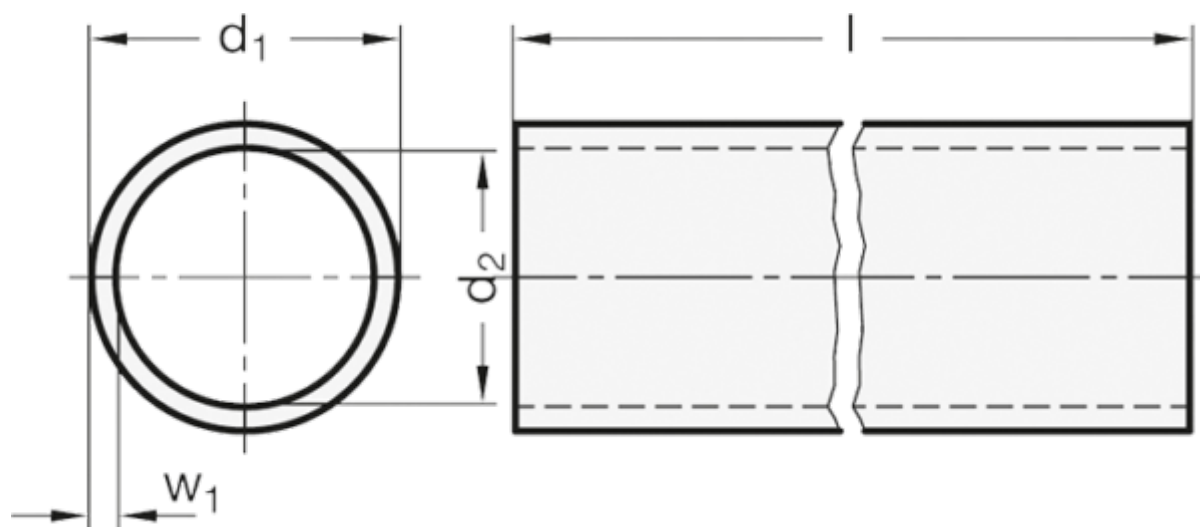


Article number: 20990ALD151000EL

Description: E+G GN 990 Construction tube round
GN 990-AL-D15-1000-EL

Measures



d_1 = D15 +0.05/-0.15

d_2 = 12

$l \pm 0.5$ = 1000

w_1 = 1.5

Weight in (g) = 150